



Features

- Carbon element
- Plain or knurled shaft option
- Metal bushing
- Metal shaft
- Rear solder lugs
- Compact size
- Dual gang option

PDB181-GTR Series - 17 mm Guitar Potentiometer

Electrical Characteristics

Taper..... Linear, audio
 Standard Resistance Range
 10 K ohms to 1 M ohms
 Standard Resistance Tolerance..... $\pm 20\%$
 Residual Resistance..... 1 % max.

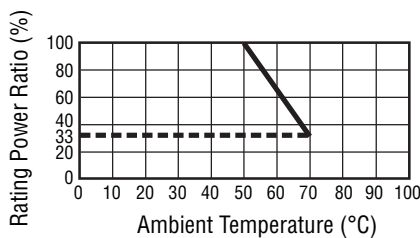
Environmental Characteristics

Operating Temperature
 -10°C to $+50^{\circ}\text{C}$
 Power Rating
 Linear..... 0.2 watt
 Dual Section 0.125 watt
 Audio..... 0.1 watt
 Dual Section 0.06 watt
 Maximum Operating Voltage
 Linear..... 200 V
 Audio..... 150 V
 Sliding Noise..... 47 mV max.

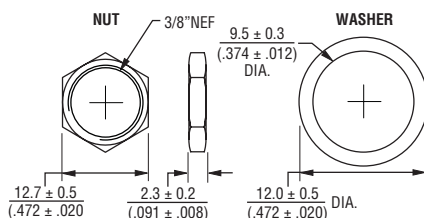
Mechanical Characteristics

Mechanical Angle $300^{\circ} \pm 5^{\circ}$
 Rotational Torque 10 to 150 gf-cm
 Stop Strength..... 5 kg-cm min.
 Rotational Life..... 15,000 cycles
 Soldering Condition
 260°C max. within 3 seconds
 Hardware Two flat washers and
 two mounting nuts supplied
 per potentiometer

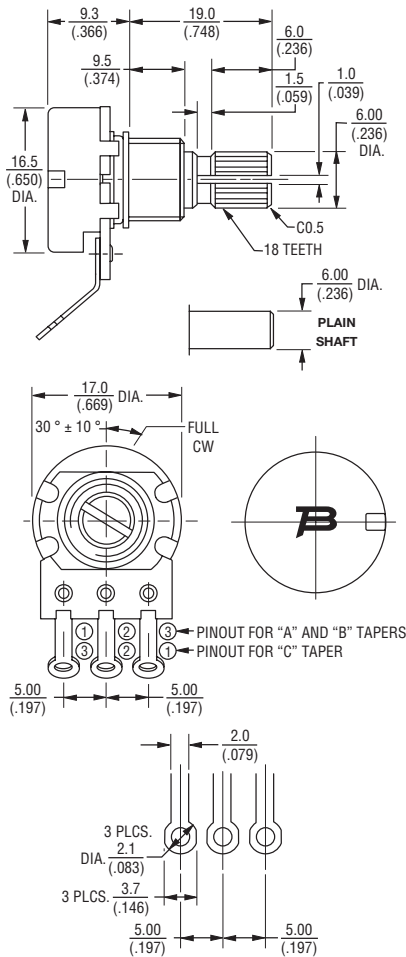
Derating Curve



Hardware



Product Dimensions



*RoHS Directive 2002/95/EC Jan. 27, 2003 including annex and RoHS Recast 2011/65/EU June 8, 2011.
 Specifications are subject to change without notice.
 Customers should verify actual device performance in their specific applications.

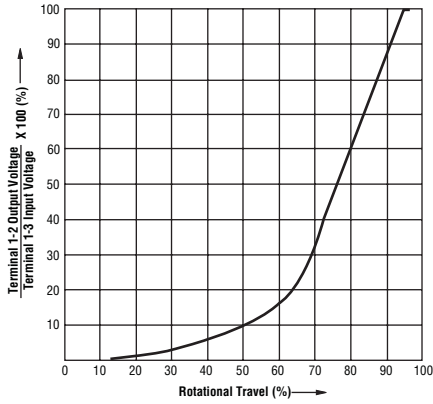
Additional Features

- Variety of resistance values
- Audio or linear taper option
- RoHS compliant*

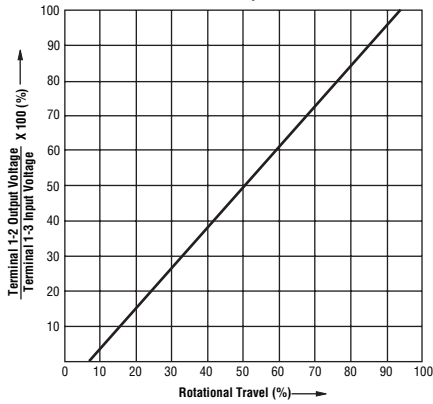
BOURNS®

Taper Charts

A2 Taper

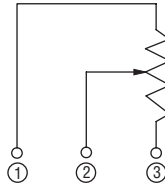


B0 Taper



Circuit

Single Gang



Dual Gang

